

*brilliance in lighting*

# photinus

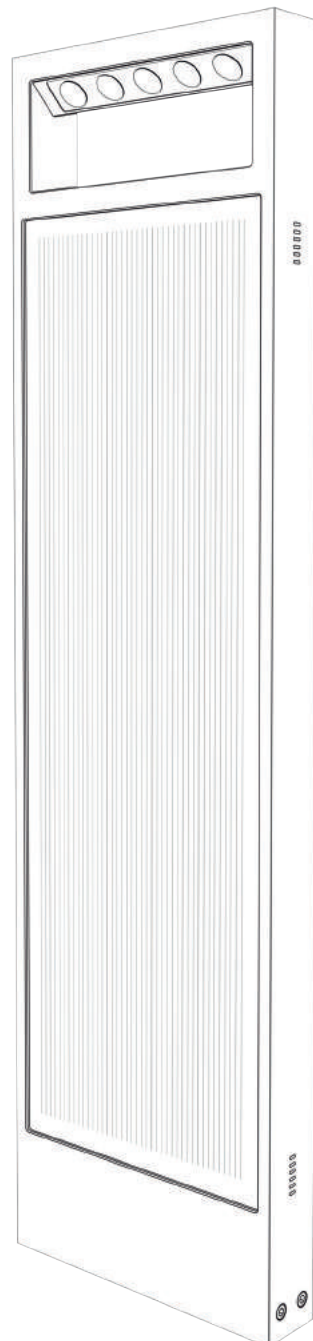
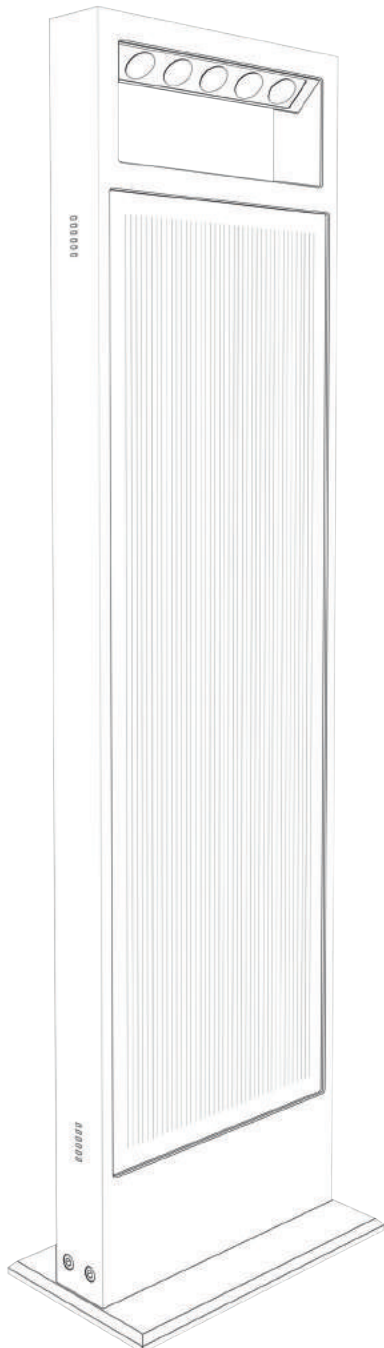
---

## DATASHEET V.1 | 2017

---

### juno

---



# 1

## juno

### SELF-SUFFICIENT SOLAR LED LIGHT FOR SIDEWALKS, DRIVEWAYS, PARKS AND MORE

#### USE

Photinus has developed an innovative technology with its vertical facing solar module, which has opened new dimensions in both design and functionality. This unique construction guarantees unrestricted energy intake and cannot be blocked by snow or foliage.

Furthermore, in poor light conditions, 100% of the light reflecting will be absorbed, which is a significant advantage over traditional solar lights. With the elegant design, there are no limits to the possibilities for these lights.

The Juno solar lights are ideal lighting for sidewalks, driveways, pedestrian paths, parks, private garden facilities, promenades, boardwalks and any location where there is no access to electrical power.

#### FUNCTION

The integrated battery is loaded by the photinus high performance photovoltaic module and when dusk comes this energy is used to efficiently operate the LED array.

# 2

## TECHNICAL DATA

### SOLARMODULE AND BATTERY

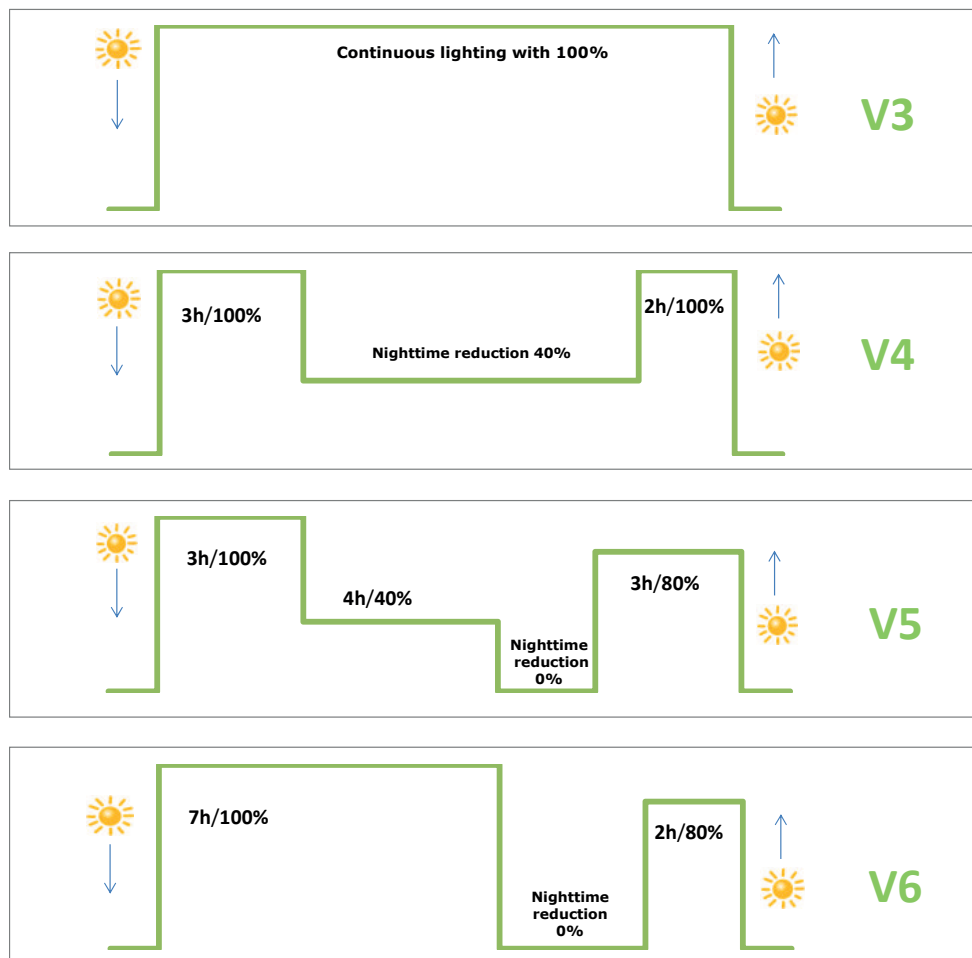
<b>Solar module</b>	monocrystalline silicon cells with exceptional efficiency specially processed by photinus
<b>Efficiency</b>	21,5%
<b>Max. performance of the energy column P<sub>mp</sub></b>	22Wp / 1 solar module — module are also charged up in cloudy conditions.
<b>Dimensions Solarmodule</b>	698 mm x 230 mm x 5 mm
<b>Battery</b>	NiMh / 12V 9Ah
<b>Operating temperature</b>	Charge and discharge temperature - 45°C to + 85°C
<b>Battery life</b>	Cycle stability 5 years

### LIGHTS

<b>Max. luminous flux</b>	1000 lm (Bregenz site, 47 degrees latitude: 600 lm)
<b>Max. Efficiency</b>	180 lm/W
<b>LED module / max. watts</b>	15 W
<b>Max. back-up time</b>	18 days (Bregenz site, 47 degrees latitude: 7 days) „Intelligent plus Modus“ 25 days (Bregenz site: 18 days)
<b>Colour temperature</b>	4000 K (standard)
<b>Optics   Light distribution</b>	situational
<b>Life of LED</b>	>100 000 h
<b>Protection class</b>	IP65

ENERGY AND TIME MANAGEMENT

Standard factory setting V5



## DIMENSIONS

<b>Total height from ground level</b>	900 mm (without base plate)
<b>Height of light from ground level</b>	865 mm
<b>Width of the solarlight</b>	242 mm
<b>Strength of the solarlight</b>	52 mm
<b>Base plate</b>	255mm x 150mm x 10mm
<b>Material of Solarlight</b>	galvanised and powder-coated steel „Sparkling iron effect dark“

## DIMENSIONS AND WEIGHTS FOR DISPATCH

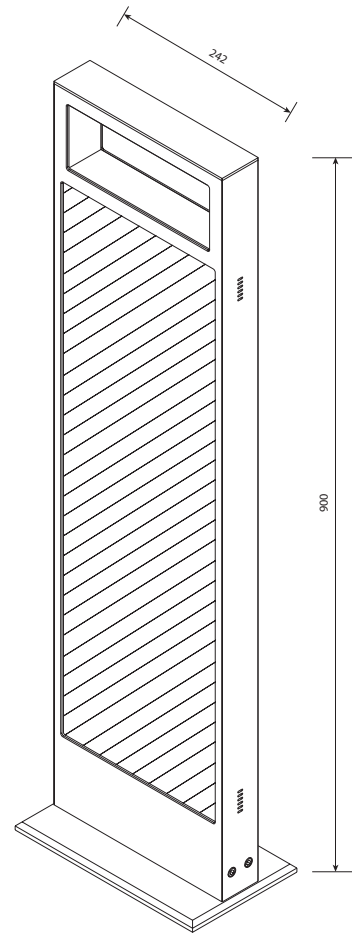
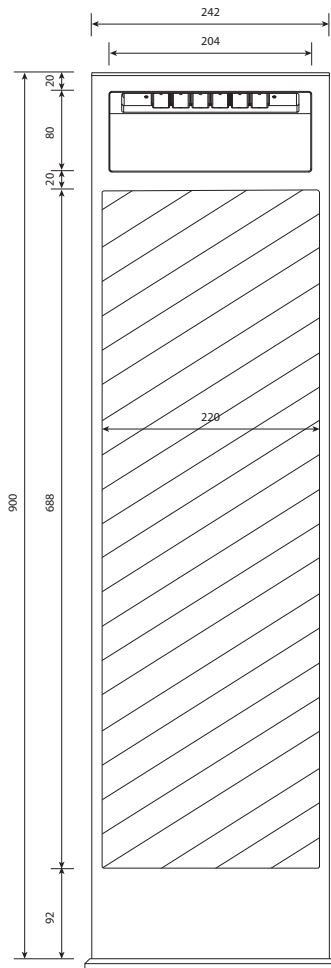
<b>Solar light in box</b>	920 mm x 270 mm x 80 mm
<b>Weight</b>	16 kg

## MAINTENANCE CYCLES | WARRANTY

<b>Material warranty</b>	3 years (incl. battery)
<b>PV module warranty</b> (The warranty period is deemed to start on the date of manufacture)	2 years with 100% product guarantee 5 years warranty at 90% minimum output 10 years warranty at 80% minimum output

(technical changes reserved)

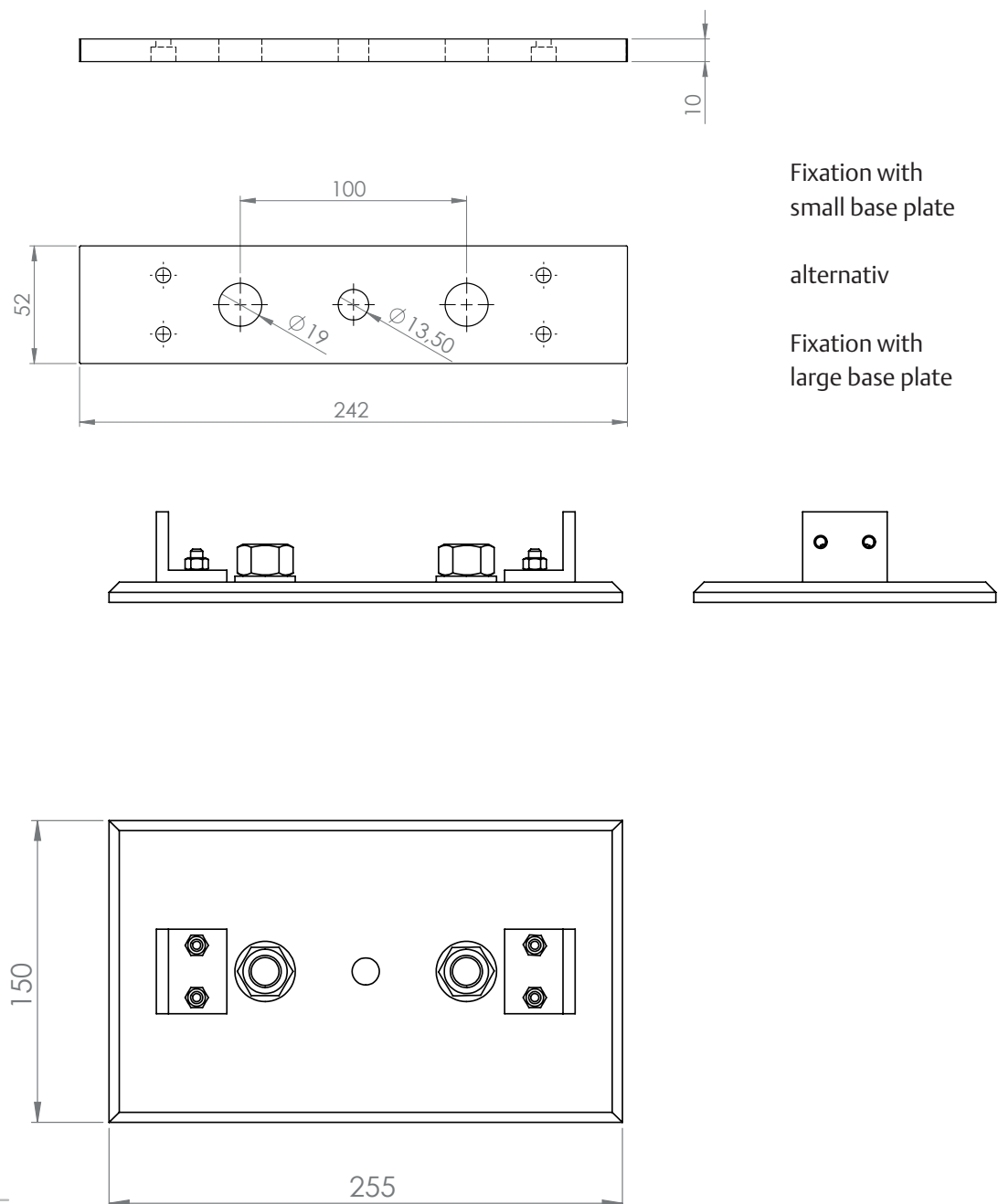
**DIMENSIONS**



# 3

## OPTIONS FOR ASSEMBLY

### OPTION 1 - CONCRETE FOUNDATION



Fixation with  
small base plate

alternativ

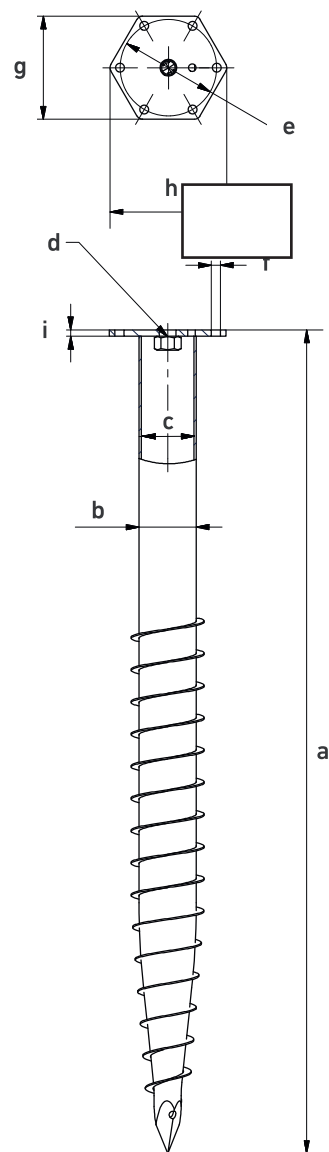
Fixation with  
large base plate

**OPTION 2 - GROUND SCREW**

The fixing of the juno solar light with a Krinner ground screw is only possible with the baseplate (255 mm x 150 mm x 10 mm)!

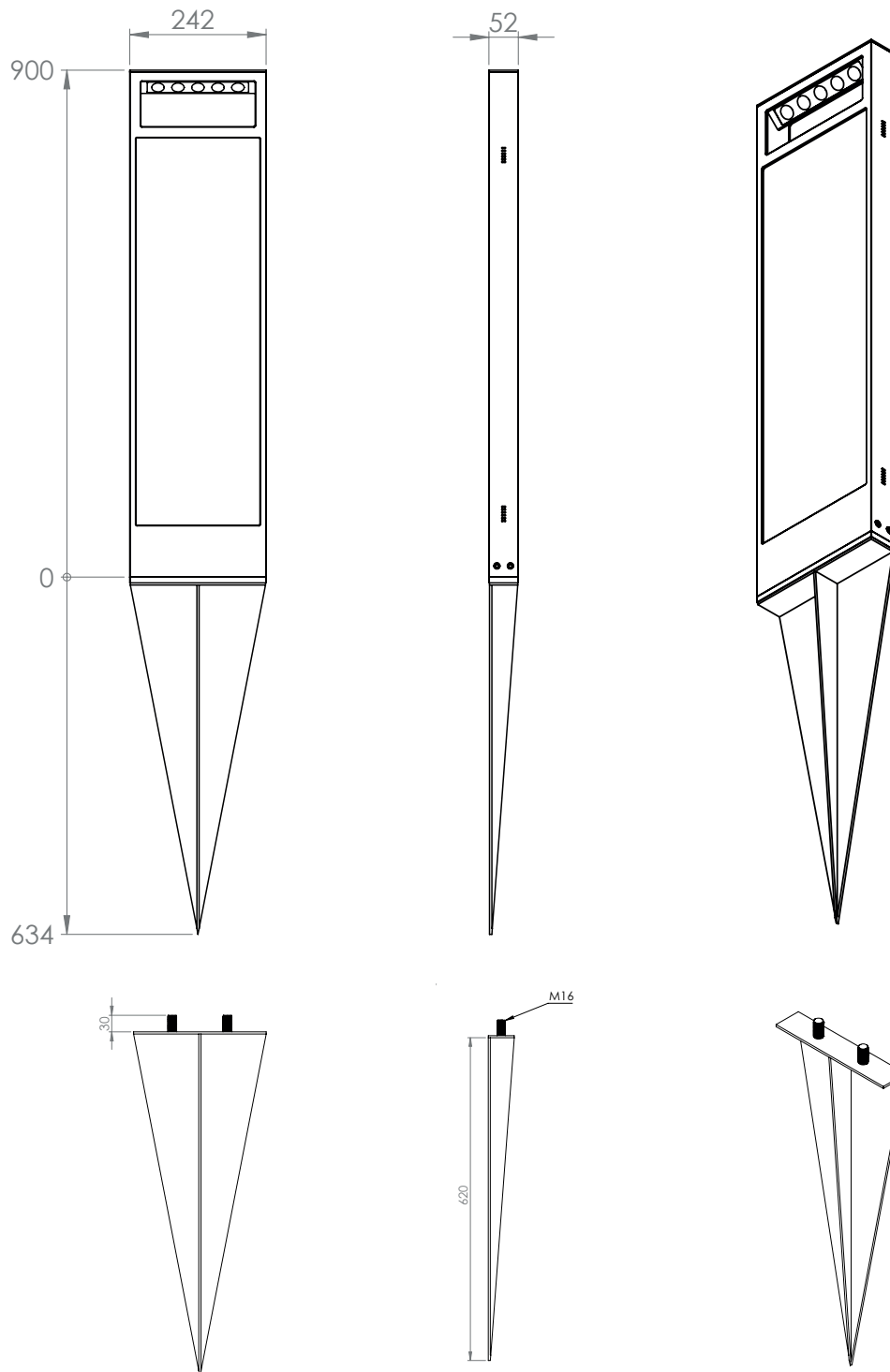
**KRINNER Ground Screw  
 KSF M 76 x 800-M12**

a Length (+/- 25mm)	815 mm
b Shaft outer diameter	76,10 mm
c Inner diameter	70,90 mm
d Thread	M12
e Pitch circle diameter	116 mm
g Flange wrench size	120 mm
h Flange outer diameter	136 mm
i Flange thickness	5 mm





OPTION 3 - MOUNTING WEDGE



LANDSCAPE (DIALUX)

